

For reference only. See data sheet for the detailed specifications.

Technical Specification

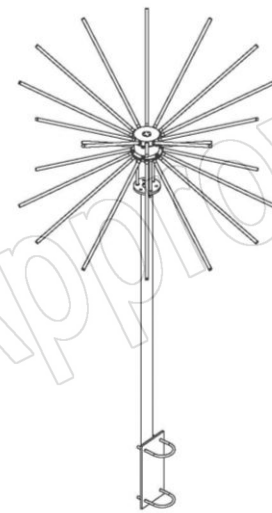
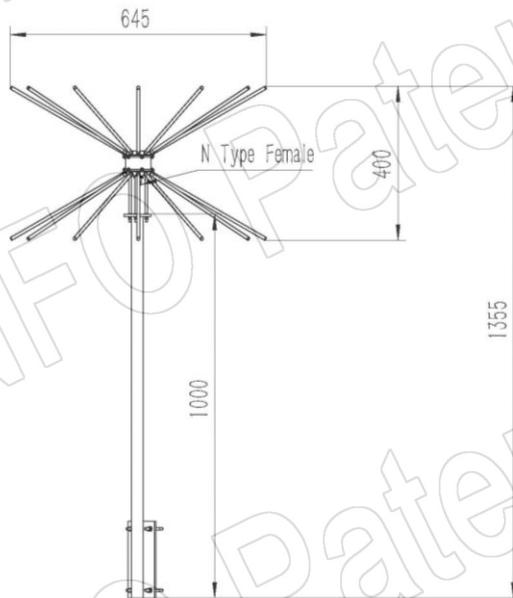


Frequency Range(GHz)	0.2 – 3.0
Gain(dB)	4 Typ.
Polarization	Vertical
VSWR	2.0:1 Typ.
	3.0:1 Max.
Connector	N-Female
Power Handling(W CW)	100 Max.
Material	Al
Size(mm)	645 x 645 x 1355
Net Weight(Kg)	3.5 Around

PATENT ID (China)

ZL201630458563.5

Outline Drawing (Size: mm)



Mounting Pole

Pole Diameter ϕ 35— ϕ 55

AINFO Inc.

China(Beijing):
China(Chengdu):
USA :

Tel: (+86) 10-6266-7326,
Tel: (+86) 28-8519-2786,
Tel: (+1) 949-639-9688,

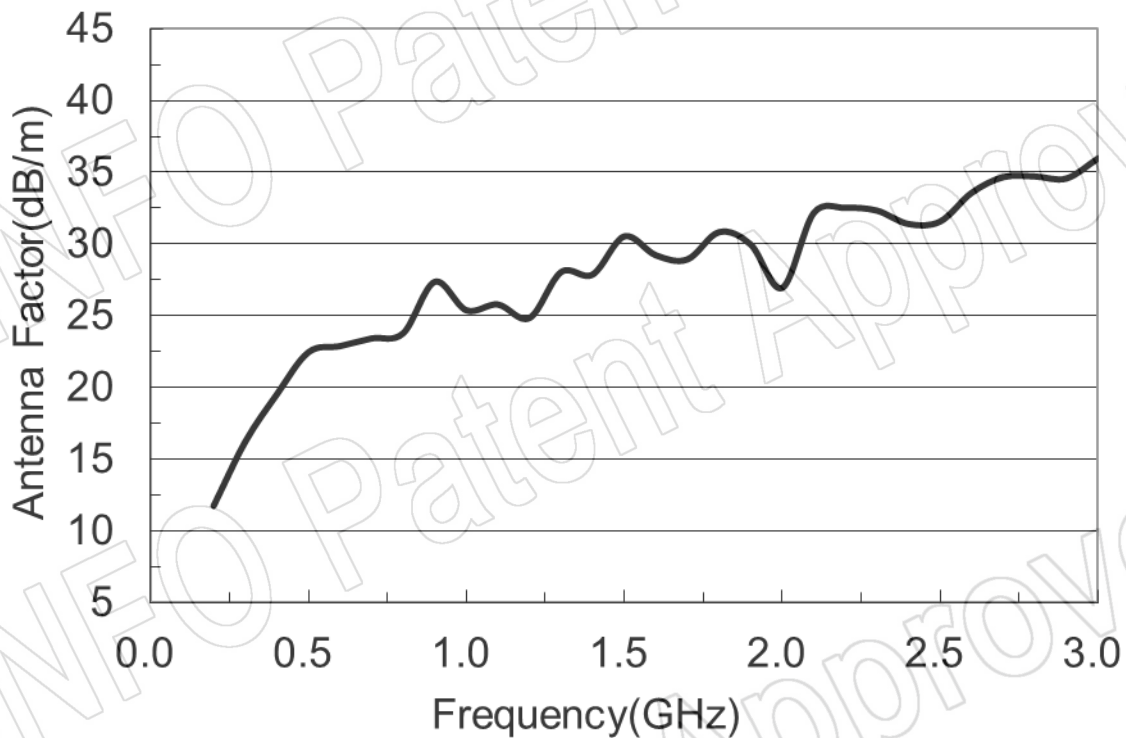
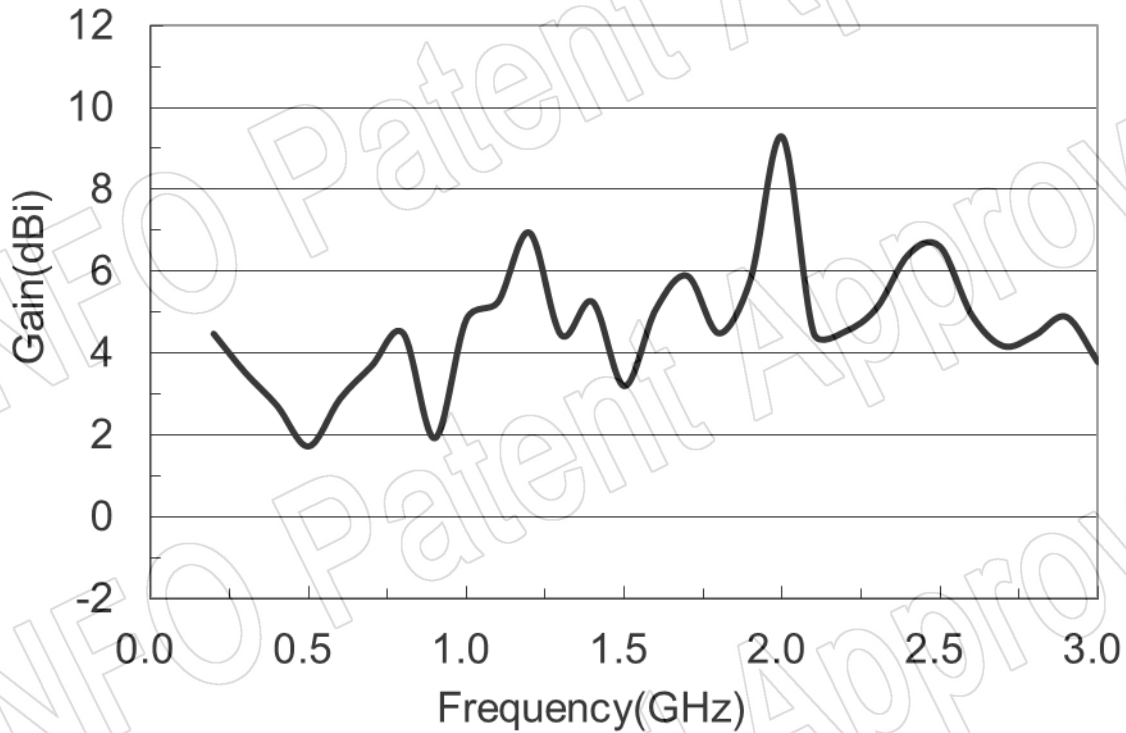
(+86) 10-6266-7327
(+86) 28-8519-3044
(+1) 949-639-9608

Fax: (+86) 10-6266-7379
Fax: (+86) 28-8519-3068
Fax: (+1) 949-639-9670

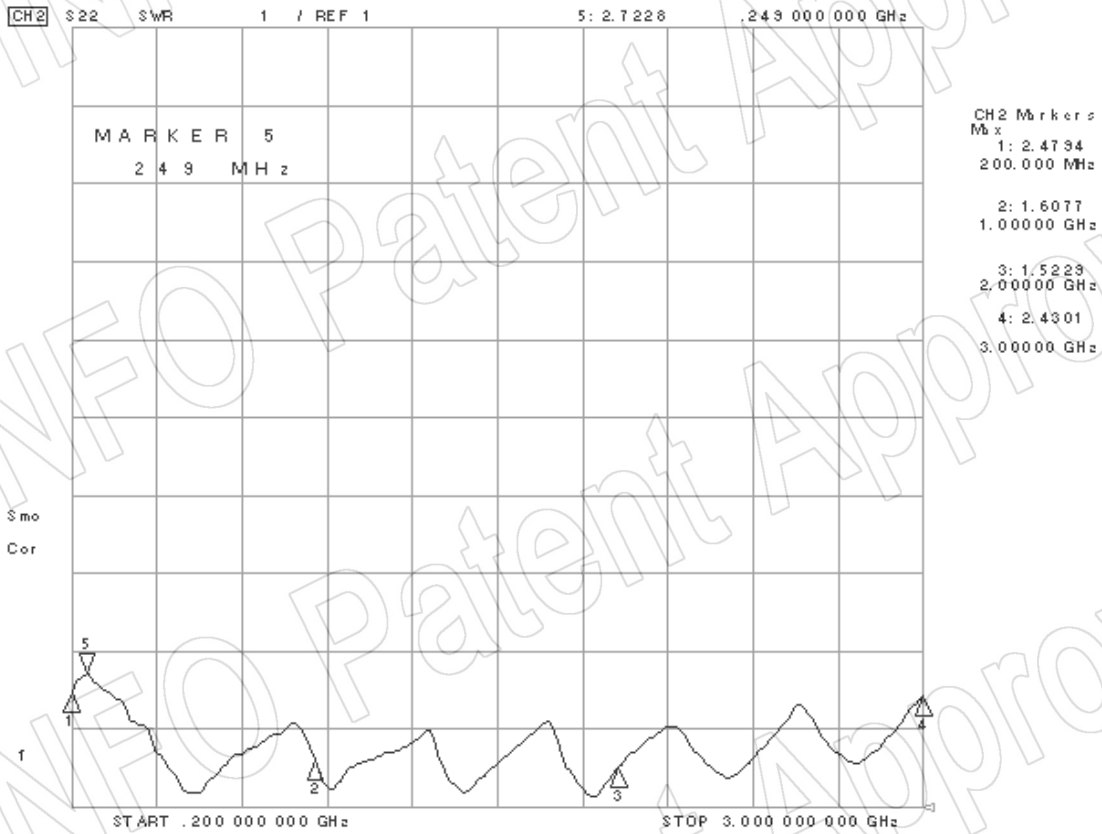
Website: www.ainfoinc.com
Email: sales@ainfoinc.com

Test Results

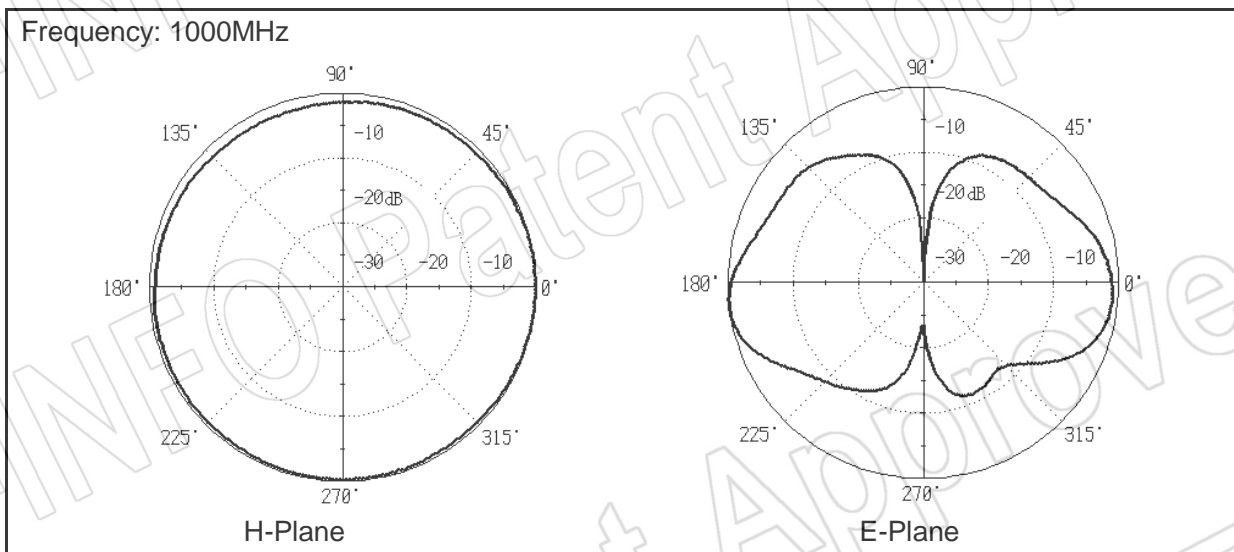
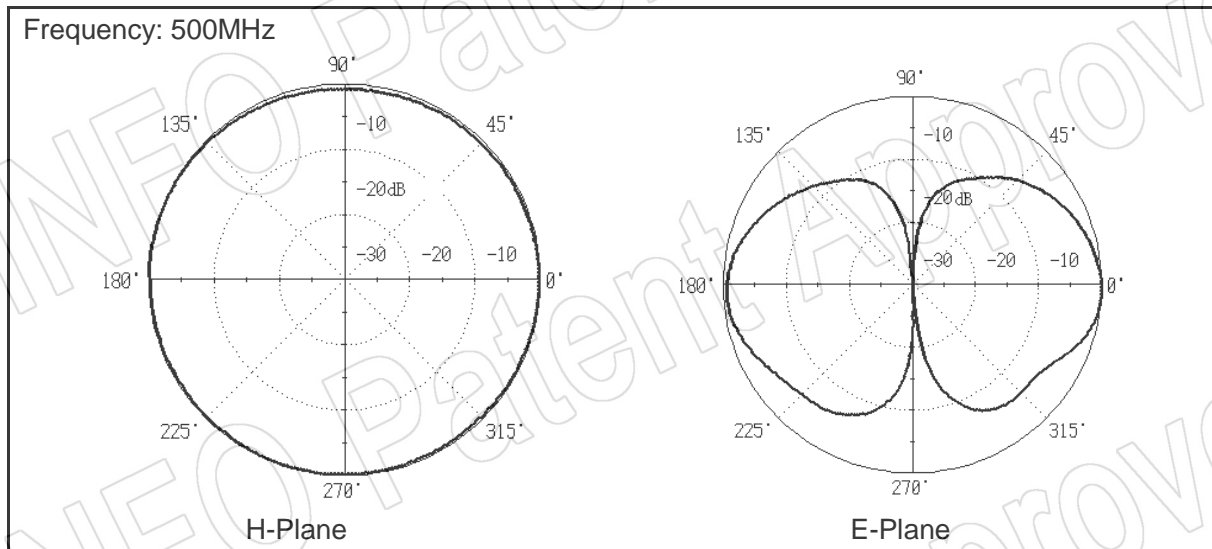
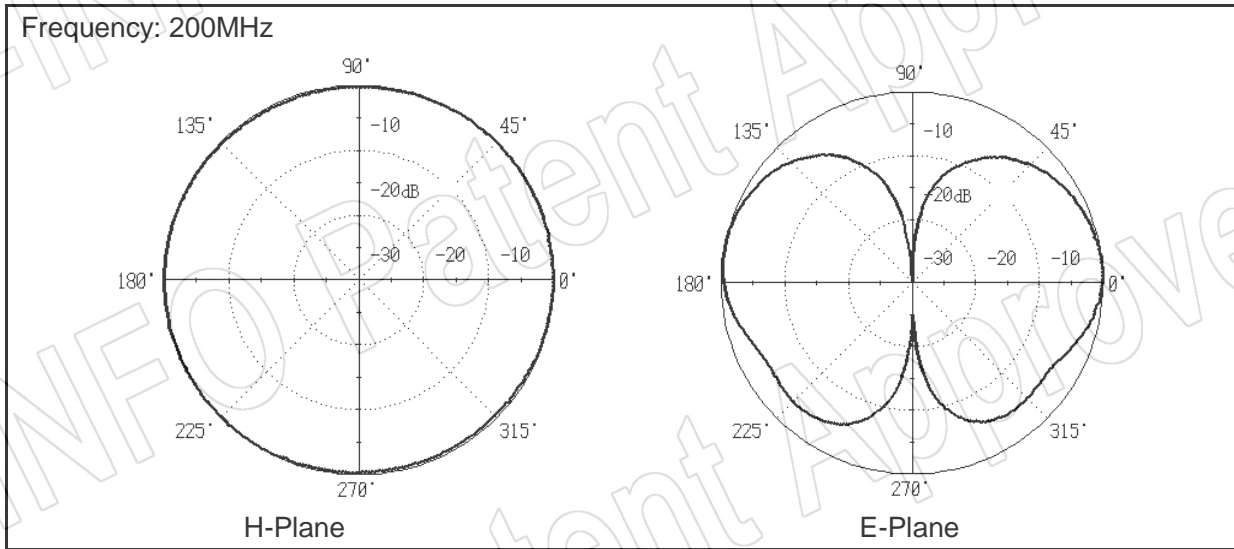
1. Gain & Antenna Factor

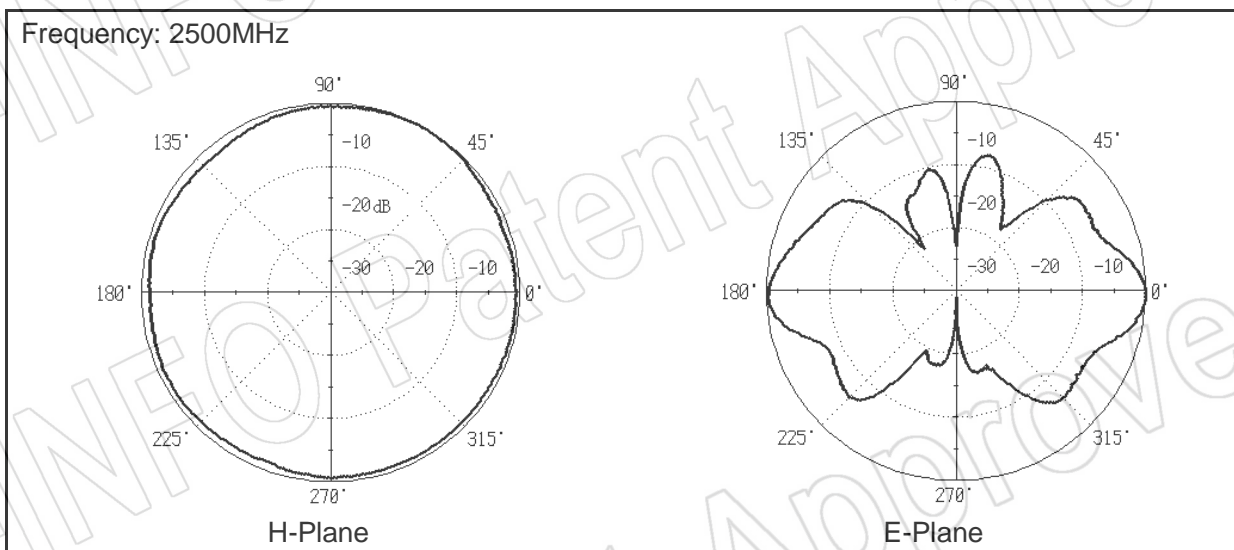
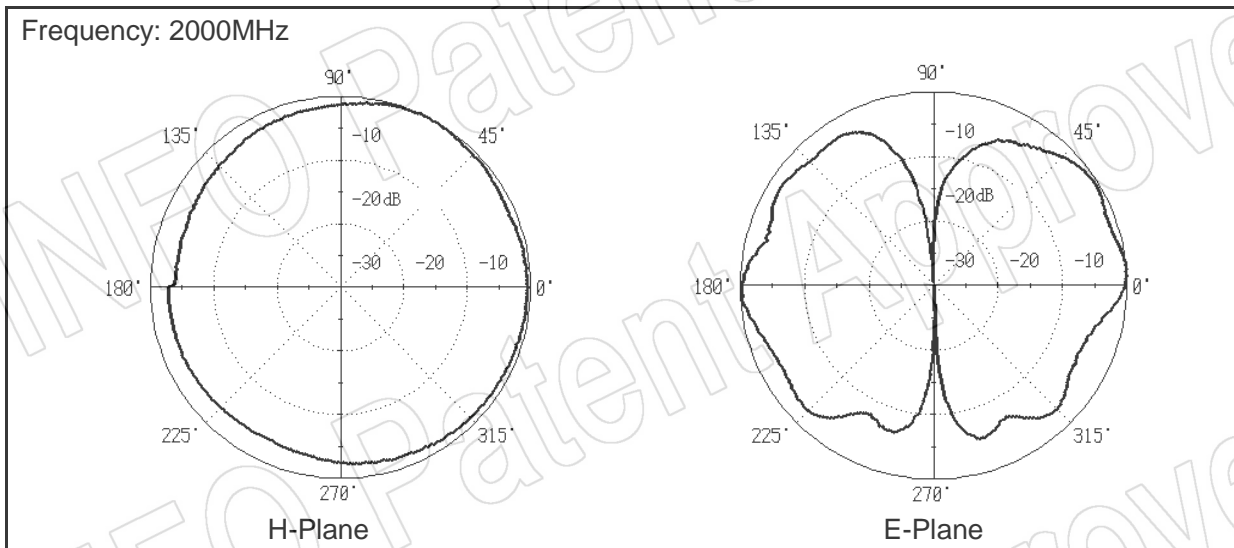
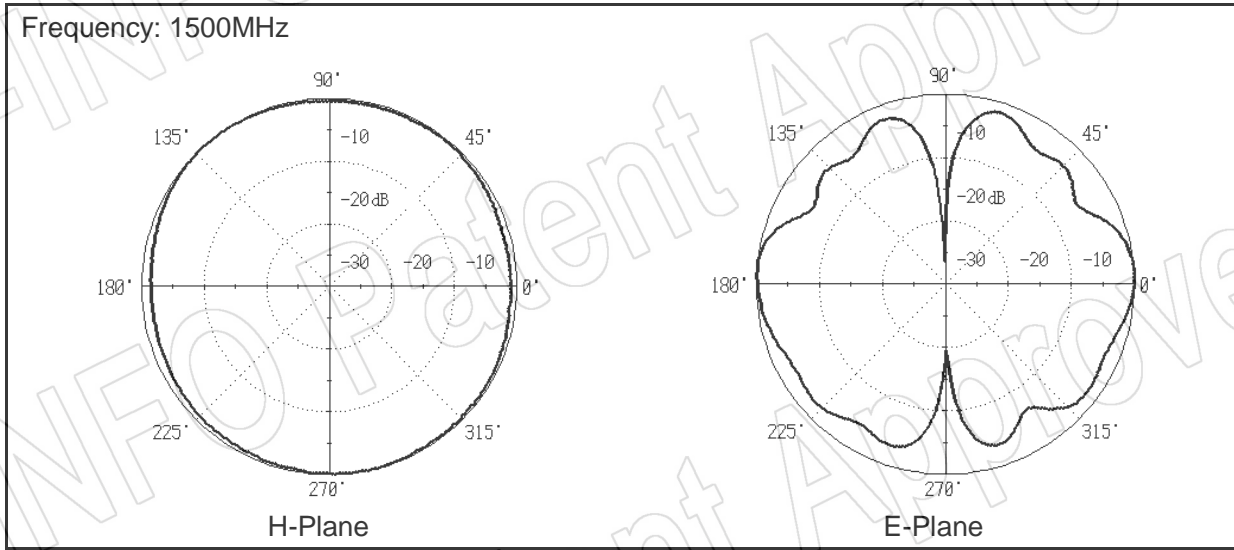


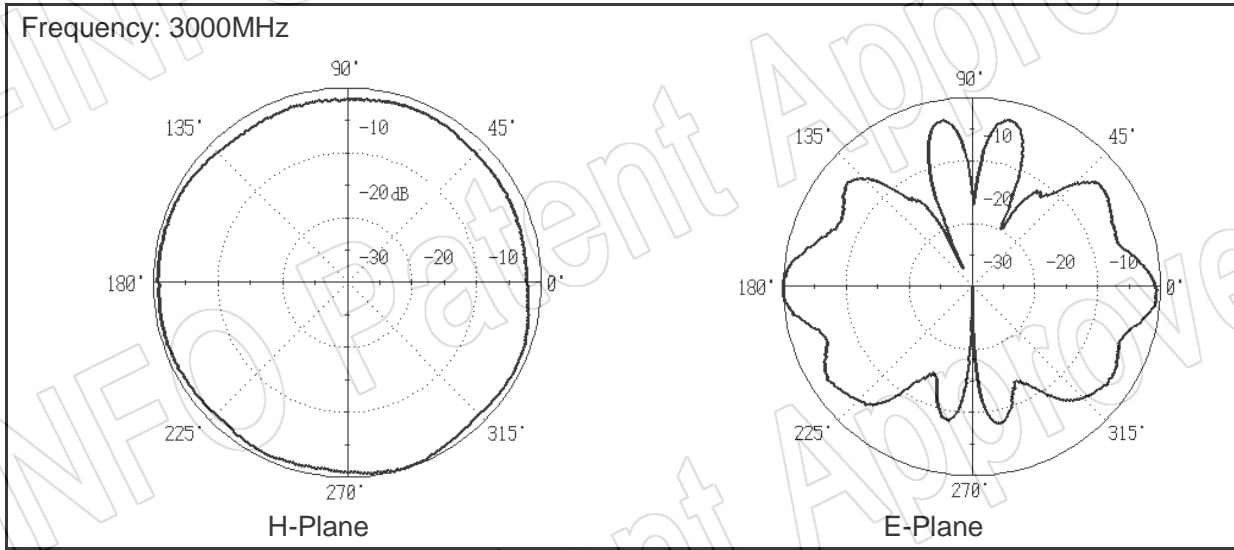
2. VSWR



3. Pattern







0.2 - 3.0GHz Bi-Conical Antenna
SZ-20300
Installation Manual

AINFO Inc.

China(Beijing):
China(Chengdu):
USA :

Tel: (+86) 10-6266-7326,
Tel: (+86) 28-8519-2786,
Tel: (+1) 949-639-9688,

(+86) 10-6266-7327
(+86) 28-8519-3044
(+1) 949-639-9608

Fax: (+86) 10-6266-7379
Fax: (+86) 28-8519-3068
Fax: (+1) 949-639-9670

Website: www.ainfoinc.com
Email: sales@ainfoinc.com

A. Parts of the antenna

1. **Feed Source Part (Feed Source and Bracing Piece), Cone Pole.** See the following Picture

Cone Pole : L=35.5cm



2. **Antenna Mounting Kit (with clamp).** See the following picture:

Antenna Mounting Kit: L=100cm

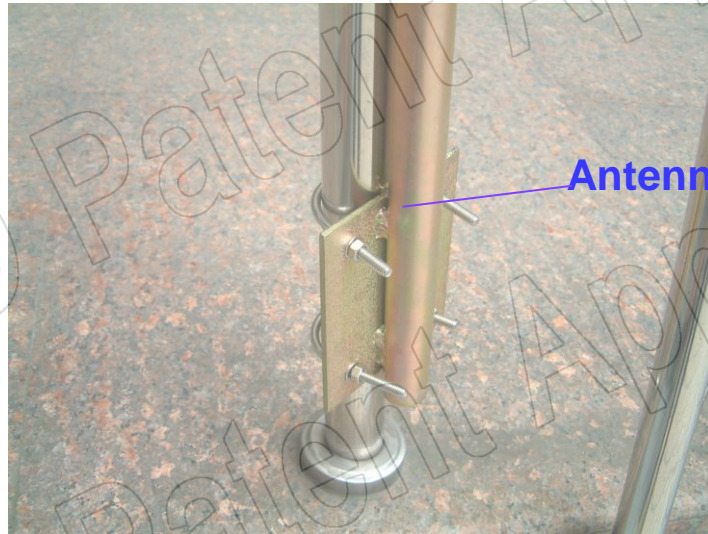


Antenna Mounting Kit

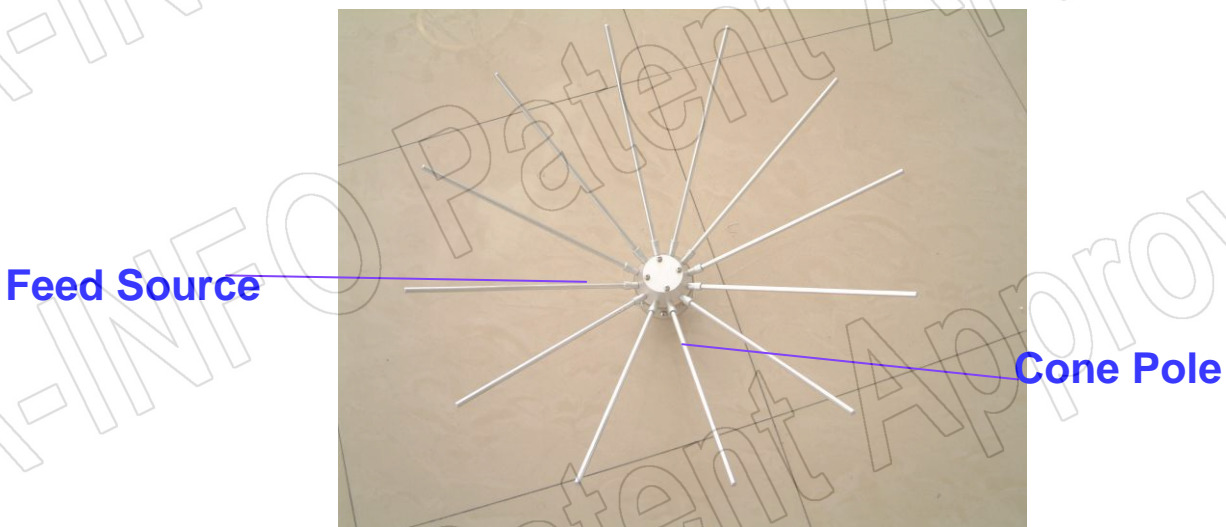
Clamp

B. Mounting Method

1. Fixing the **Antenna Mounting Kit (with clamp)** on the place where you would like to install the antenna. See the following picture.



2. Fixing the **Cone Pole** to the **Feed Source** (Notes: For better fix, you must keep the **Upper Cone Pole** to be 30 degree with the level. **If you feel hard to fix, you can adjust the angle, pls. do not fix forcibly.**). Please see the following picture.



Feed Source



Cone Pole

C. Finishing Picture



AINFO Inc.

China(Beijing):
China(Chengdu):
USA :

Tel: (+86) 10-6266-7326,
Tel: (+86) 28-8519-2786,
Tel: (+1) 949-639-9688,

(+86) 10-6266-7327
(+86) 28-8519-3044
(+1) 949-639-9608

Fax: (+86) 10-6266-7379
Fax: (+86) 28-8519-3068
Fax: (+1) 949-639-9670

Website: www.ainfoinc.com
Email: sales@ainfoinc.com